

FOR PROTECTION OF PATENT RIGHTS

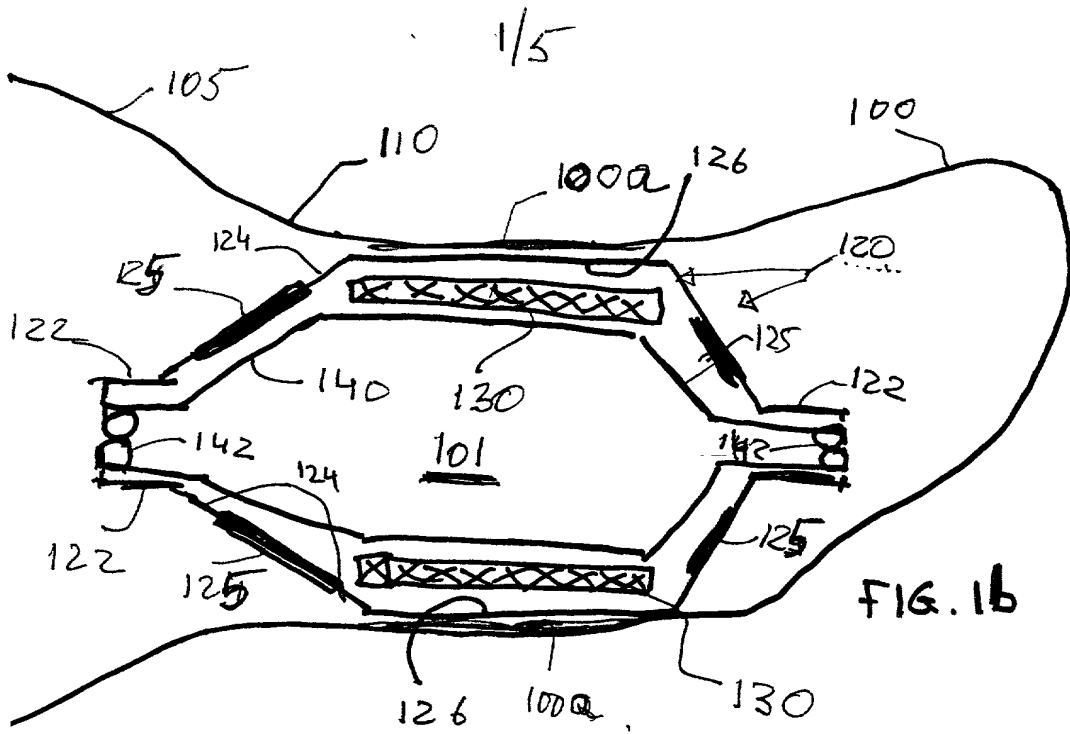


FIG. 1b

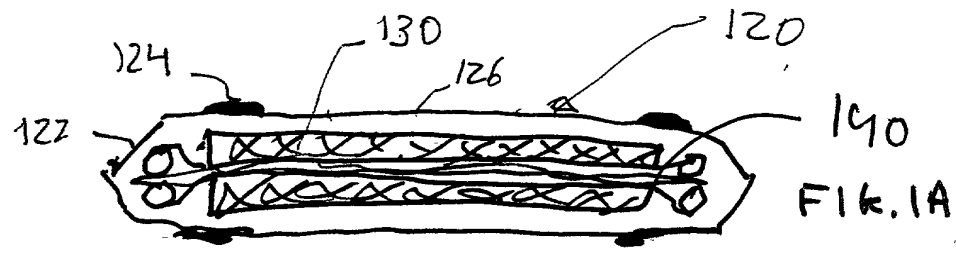


FIG. 1A

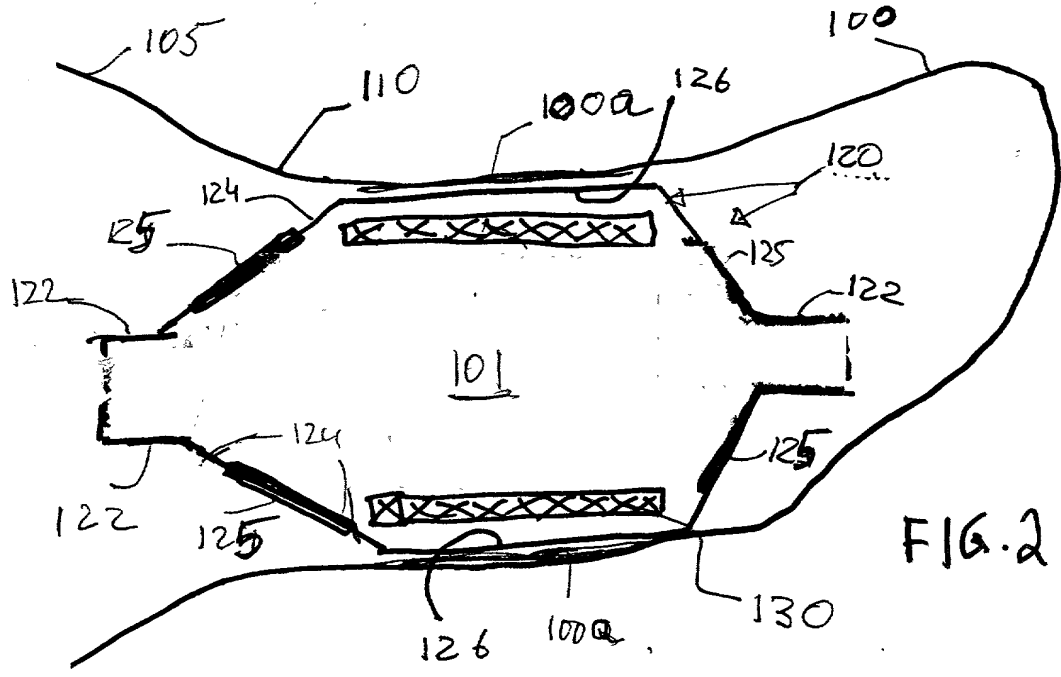


FIG. 2

2/5

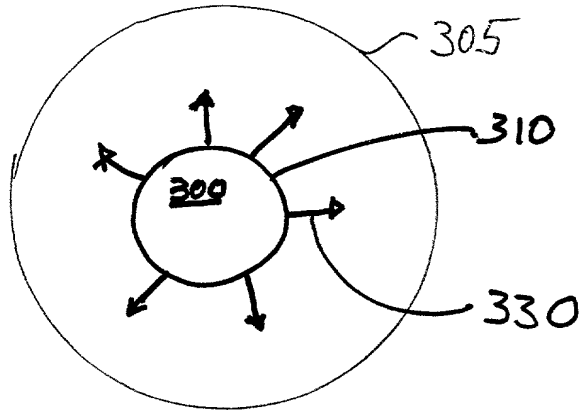


FIG. 3a

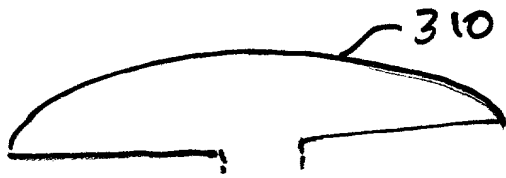


FIG. 3b

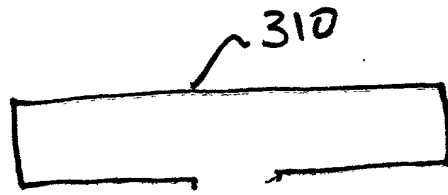


FIG. 3c

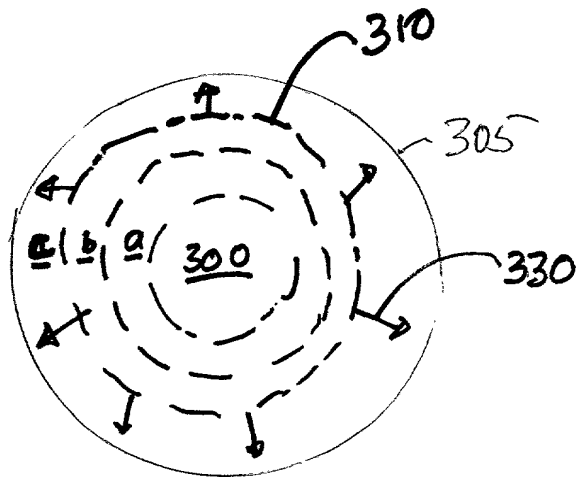


FIG. 4

FOR INFORMATION

3/5

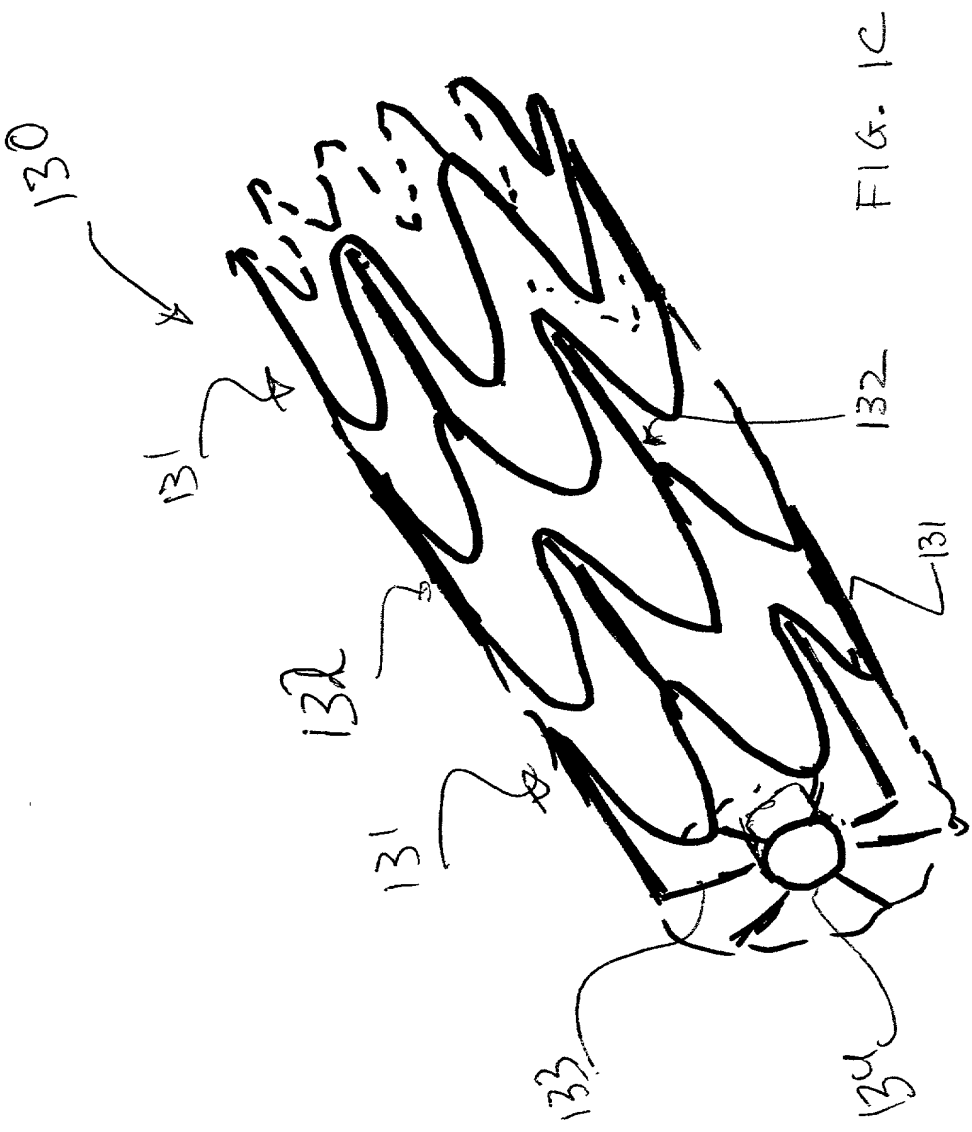
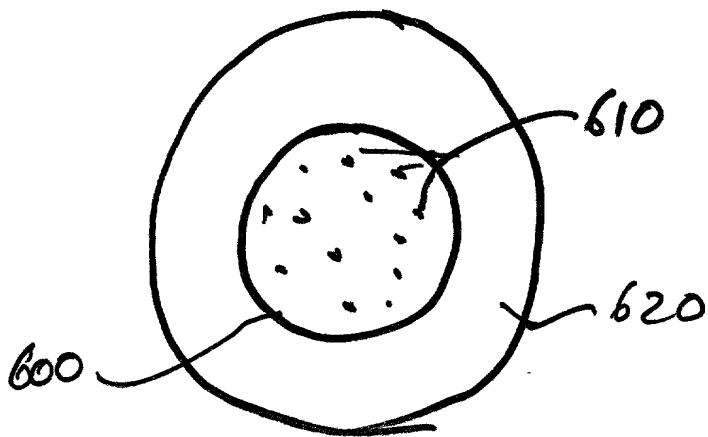
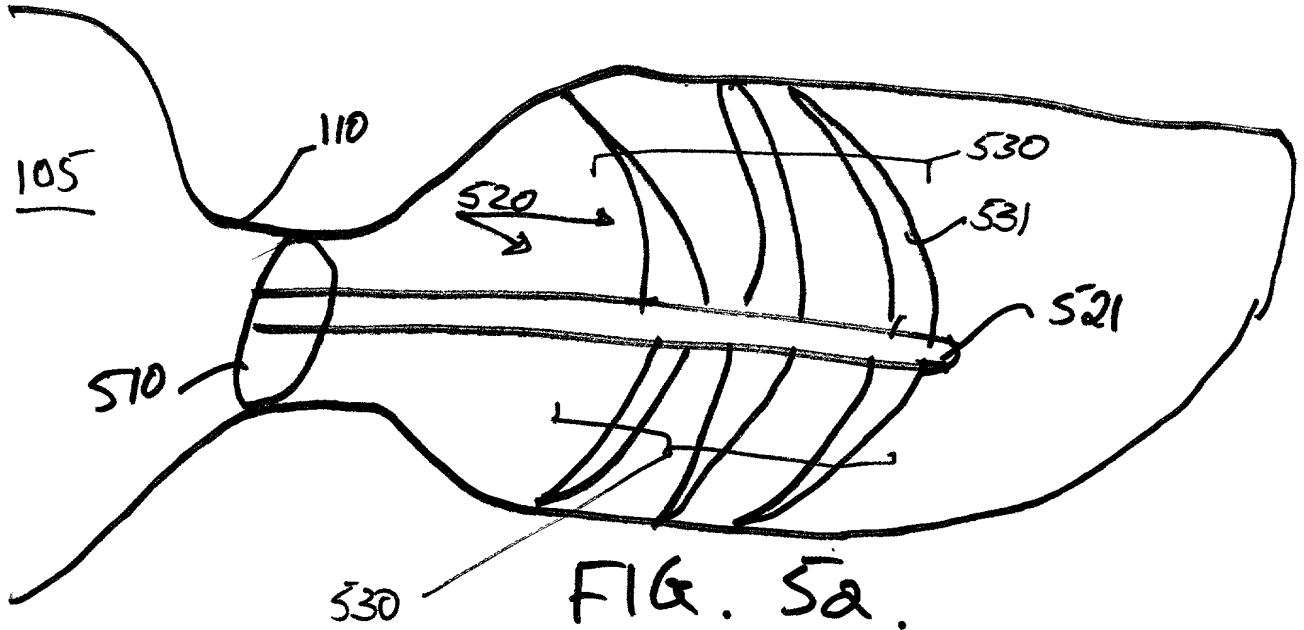


FIG. 1C



Patent application for FIG. 5a

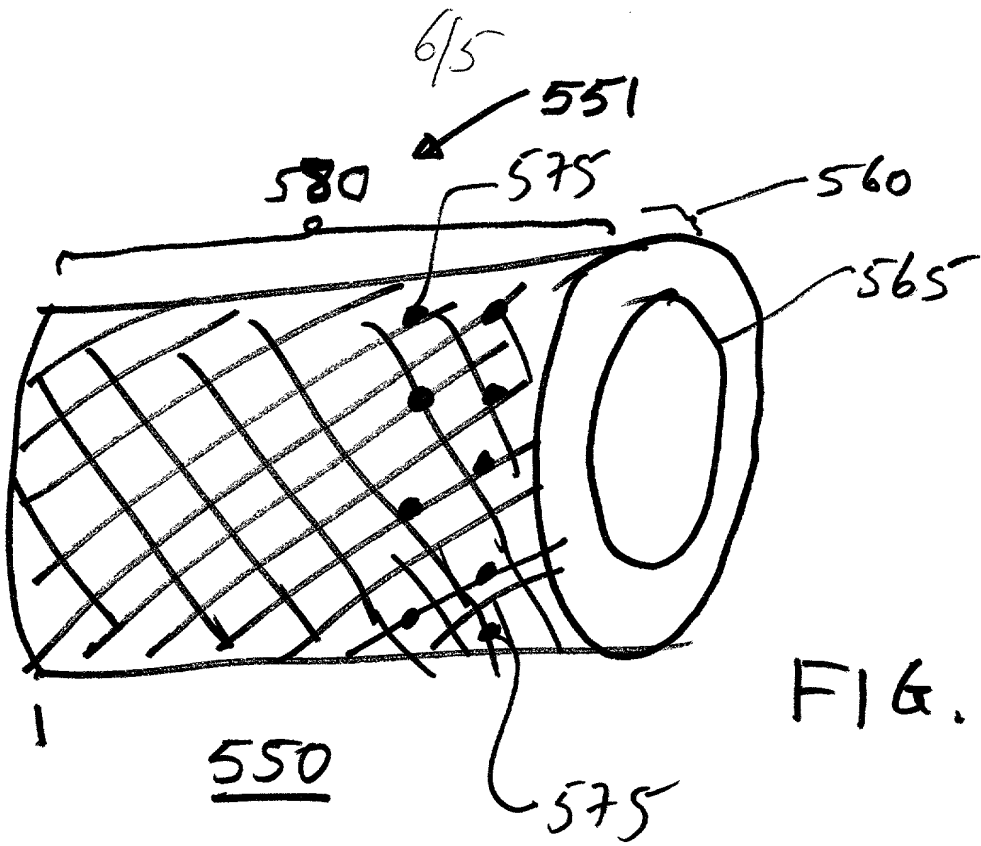


FIG. 5b

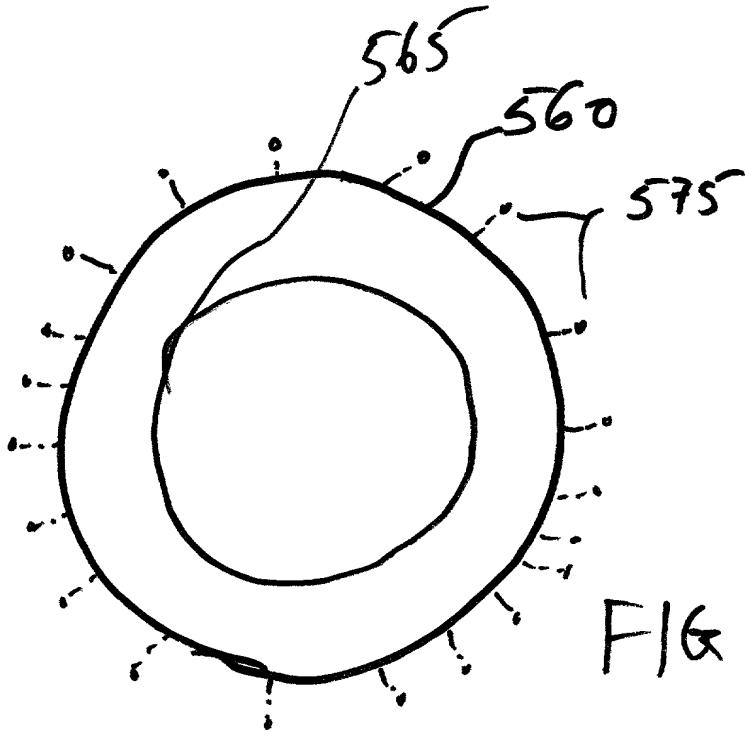


FIG. 5c